

ASTRO INFUSER

WARP SPEED INFUSION, PRECISION & EFFICIENCY



(509) 204-3148 (CALL OR TEXT) | STMCANNA.COM | SALES@STMCANNA.COM

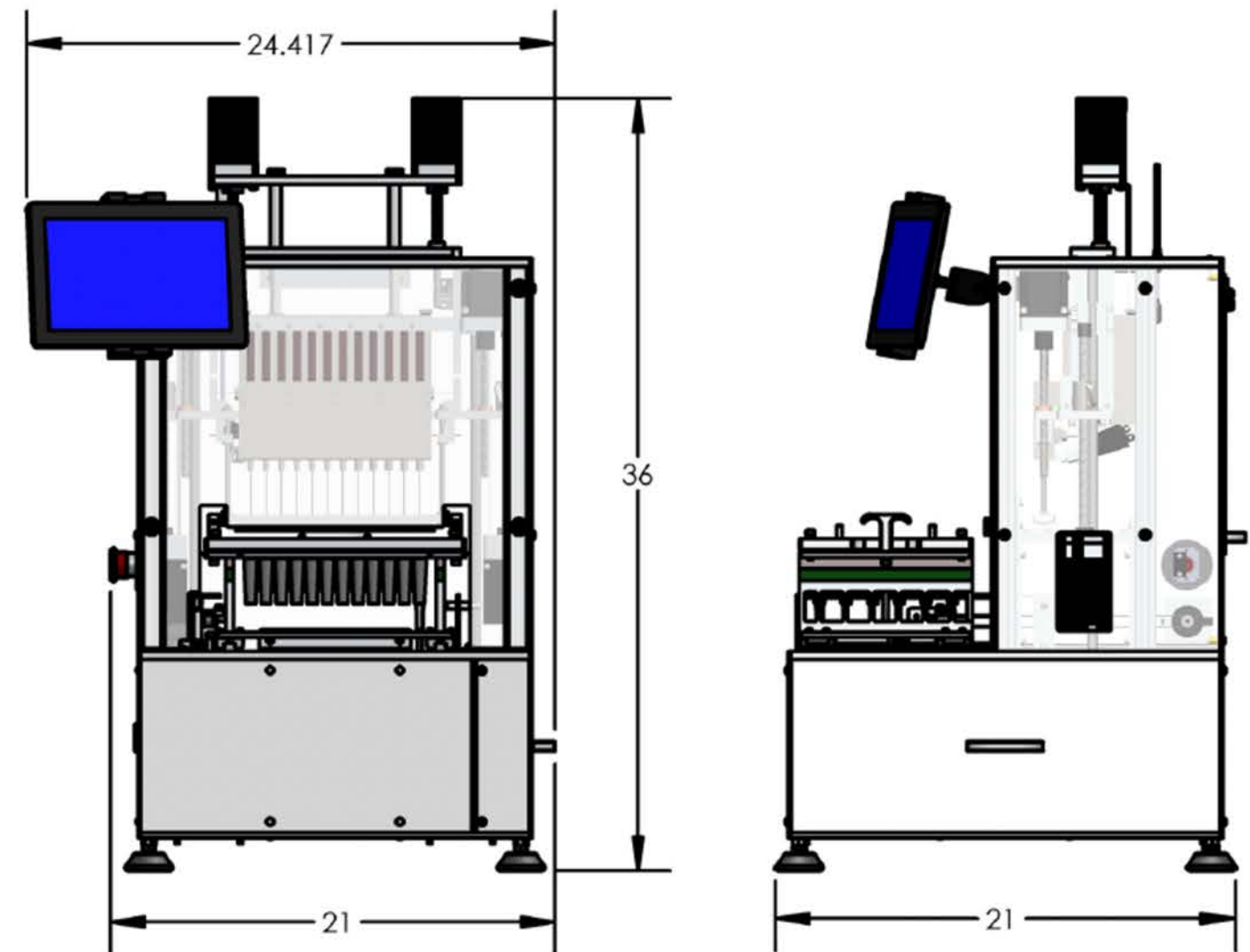
STM ASTRO INFUSER



The purpose-built STM Canna Astro Infuser offers a unique combination of precision, efficiency, and user-friendliness for pre-roll infusion. Specifically designed for this purpose, it minimizes labor costs and enables rapid scaling of production, ensuring a quick return on investment. With precise temperature controls and advanced technology, the Astro Infuser injects 12 pre-rolls simultaneously into a tray of 72 joints, accommodating various liquid concentrates.

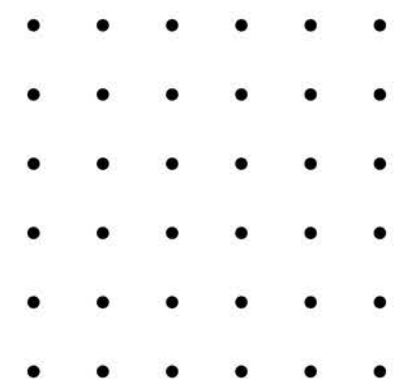
\$99,000*

- 72 Joints infused in 90 seconds.
- Infuse pre-rolls with any liquid concentrate.
- Advanced dispense control & temperature control systems.
- Enhanced touch screen control with ability to store recipes.
- Reduce labor costs and enable rapid scaling of output.
- Designed for easy operation, maintenance and cleaning.
- One-year warranty and top rated customer support.
- ROI in days to months - Calculator at bottom of this page <https://stmcanna.com/astro-infuser-pre-roll-infusion-machine/>

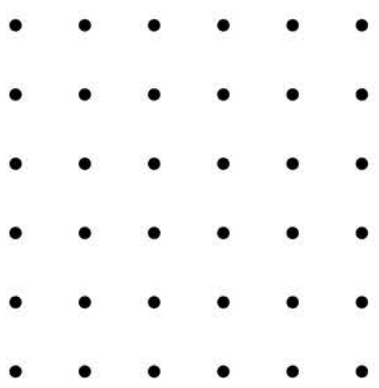


Specs & Key Features

- **Fills: 84mm, 98mm, 109mm, Dog Walker, Other.**
- **Throughput: Up to 3600 joints an hour, 72 in 90 seconds.**
- **Huge Reservoir: Holds 1000ml.**
- **Pump System: Positive displacement pump system.**
- **Heating Controls: PID 4-way dual-zone heating from reservoir and manifold to tip of needles +/- 1°.**
- **Needle: Removable 18 gauge single piece.**
- **Extras: No Nitrogen required.**
- **Weight: Approx. 125lb.**
- **Power: Standard 110, Self-Contained Unit.**
- **Warranty: 1-Year Parts and Labor.**



FAQ's



What separates it from the competition?

Purpose-Built for Pre-Roll Infusion: Many infusion machines are adapted from other applications (like cartridge filling) and use nitrogen. The Astro Infuser is a single self-contained unit designed from the ground up specifically for pre-roll infusion, leading to better process optimization and results.

Will it work with any pre-roll machine?

It works with the RocketBox series pre-roll machines and any other pre-roll machine including fully automated.

How quickly can the Astro Infuser process a tray of pre-rolls?

Average 90 seconds cycle time per tray, depending on volume dispensed per joint. For example, .1mL/84mm joint is 87 seconds per tray and .4mL/109mm joint is 94 seconds.

What types of oils/concentrates can it handle (THC, CBD, terpenes, etc.)?

Due to the temperature range and versatility of the machine, most oils/concentrates are supported for use.

What's the maximum number of pre-rolls the Astro Infuser can handle in a single batch?

@.1mL/Joint = 133 Trays (9,576 Joints) per reservoir. @.5mL/Joint = 26 Trays (1,872 Joints).

Can the infusion depth be adjusted (how far into the pre-roll the oil goes)?

Yes, the starting point and ending point of fill is controlled by end user.

Can you create custom infusion profiles for different concentrate and pre-roll combinations?

Yes, each setting, dispense rate and start-end points, can be saved for future use in a custom profiles catalog within the machines program.





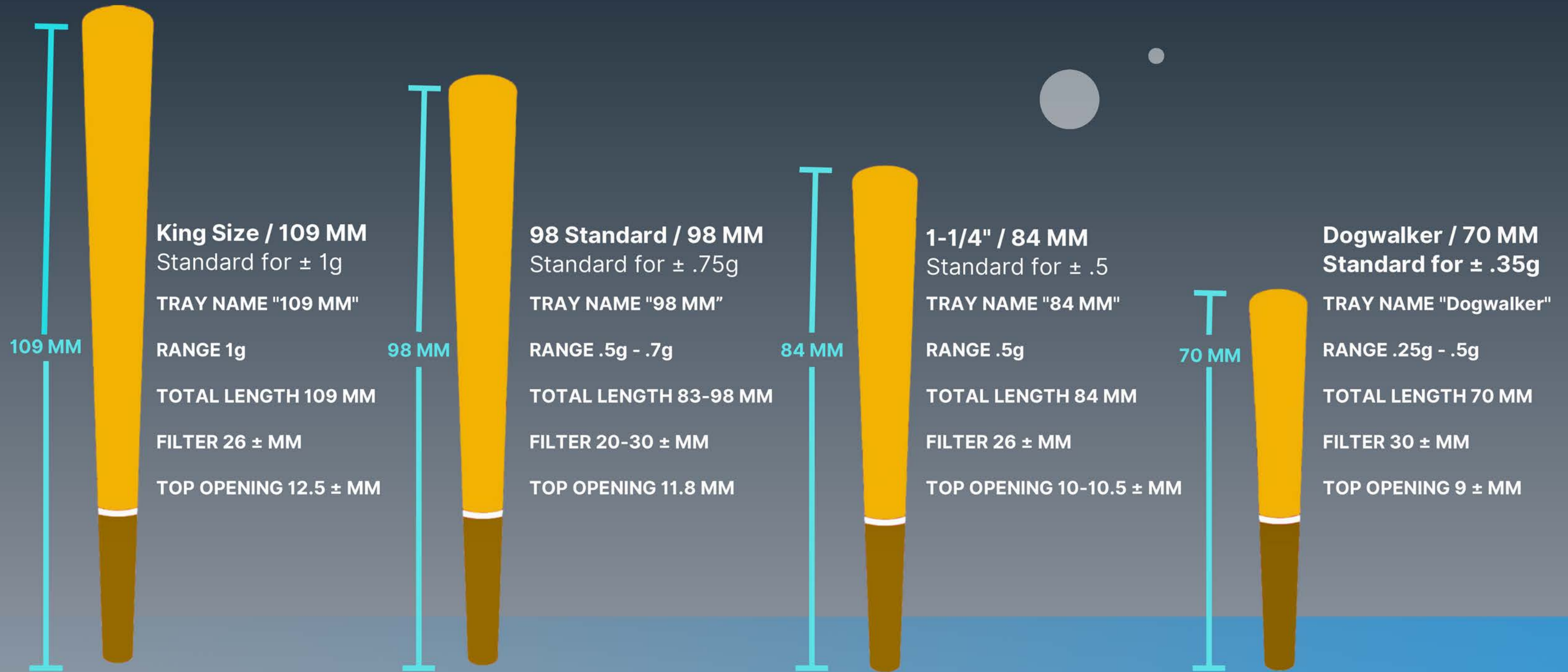
PRE-ROLL AUTOMATION SYSTEMS

“BECAUSE STM IS MODULAR, YOU PICK WHICH
WAY YOU WANT TO GO. IT’S NOT AN ALL-IN-ONE
MACHINE WHICH COSTS AN ARM & A LEG JUST
TO MAKE A PRE-ROLL”

OASIS CANNABIS CO.



STM COMPATIBLE CONES



Operators can adjust weights within specified ranges by raising/lowering the Top Tray, modifying grind size, bulk density, or machine cycle time. Papers should at least match the dimensions listed for optimal results. The Top Tray's metering system are optimized for standard sizes (84/98 MM & 109 MM), and custom sizes like Dogwalker & others may require additional tuning.

OPTIONAL EQUIPMENT

FOR USE IN THE ONE-TRAY WORKFLOW

REVOLUTION
2.0



GRIND.

Grind size is the most important for a superior pre-roll. The STM Canna Revolution 2.0 Grinder: Precision in every grind.

**LAUNCHPAD
SCALE**



WEIGH.

Precise weights save time and money. Invest in a lab grade scale to elevate precision in measuring.

**ASTRO
INFUSER**



INFUSE.

Enhance your profits significantly with oil infused pre-rolls with the Astro Infuser, the world's fastest.

**ATOMIC CLOSER
V3 TURBO**



CLOSE.

Precise weights save time and money. Invest in a lab grade scale to elevate precision in measuring.